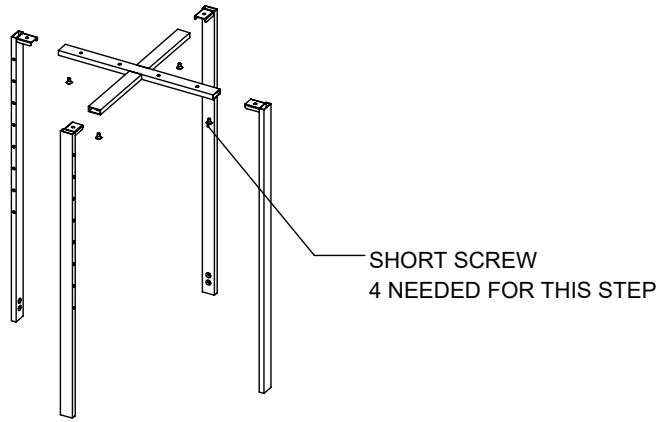
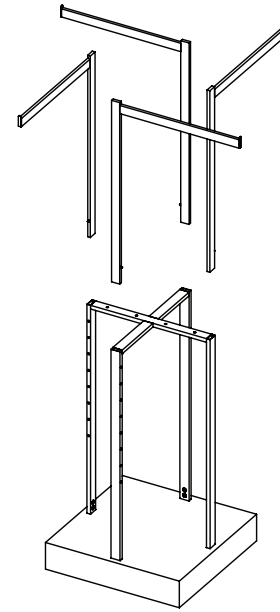


1



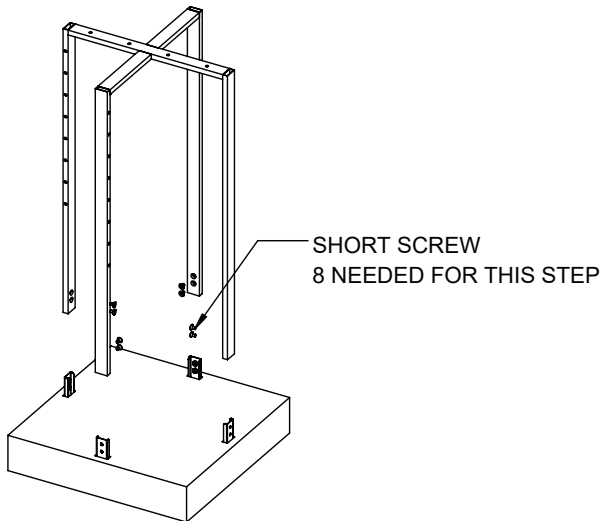
3

INSERT ARMS TO LOWEST POSSIBLE POSITION.



2

INSERT ASSEMBLY FROM STEP 1 INTO BASE. SECURE WITH SHORT SCREWS.



4

ASSEMBLE WOOD BLOCK AND SIGN HOLDER.

READJUST ARMS TO DESIRED HEIGHTS.

